



CMP-1

Component Mounting Plate

Installation Instructions

The CMP-1 gives you a place to mount your components to the rear of the display. Easily attached to the VESA mounts, you can use our UMC-1 mounting clamps and CLP-1 zip tie clips to secure and organize the equipment.

The CMP-1 can be used in almost any installation, stand mounted, pole mounted, articulating mount, etc. This unit will reduce installation time by giving you a proper mounting location for all of your components, that is reliable, neat, and easy to install. Stop call backs due to equipment coming loose from the rear of the display.

Please read through this manual prior to installing the CMP-1.

Some things to consider when using this component:

1. If using a mount, Place the CMP-1 against the TV surface, then put the mount on top. this will sandwich the CMP-1 between the TV and mount.
2. Check for mounting interference between the mount and CMP-1 prior to installing your components.
3. The CMP-1 can be located almost anywhere on the rear of the display, on your first few installations take the time to play with different locations to find what works best for your installation style.
4. The breadboard is designed to be located almost anywhere on the TV mounting plate, so take the time to find the location that best suits your needs.
5. Several screws have been included to help with the installation. Make sure that you do not use screws that are too long, damaging the display.

Thank you for purchasing the Intuitive CMP-1!

The following are included with this package:

- 1 ea. TV mounting plate
- 1 ea. Breadboard plate
- 1 ea. Support Post
- 4ea. Self Tap Screws
- 1 ea. Bag of various mounting screws



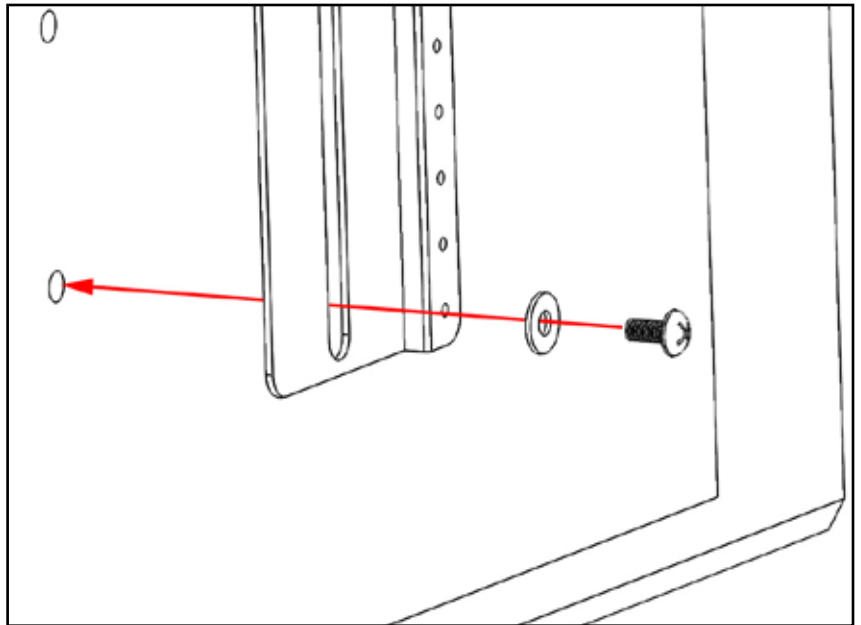
All Intuitive Products have a Lifetime Limited Warranty. This warranty includes labor and parts repairs on all defective components, material or workmanship. This warranty shall not apply to products which have been abused, modified or disassembled. Products must be returned to Intuitive with prior notification and return authorization number (RA).

Step 1

Attaching the mounting plate to the VESA mount on the rear of the TV.
(There are suggestions on the last page.)

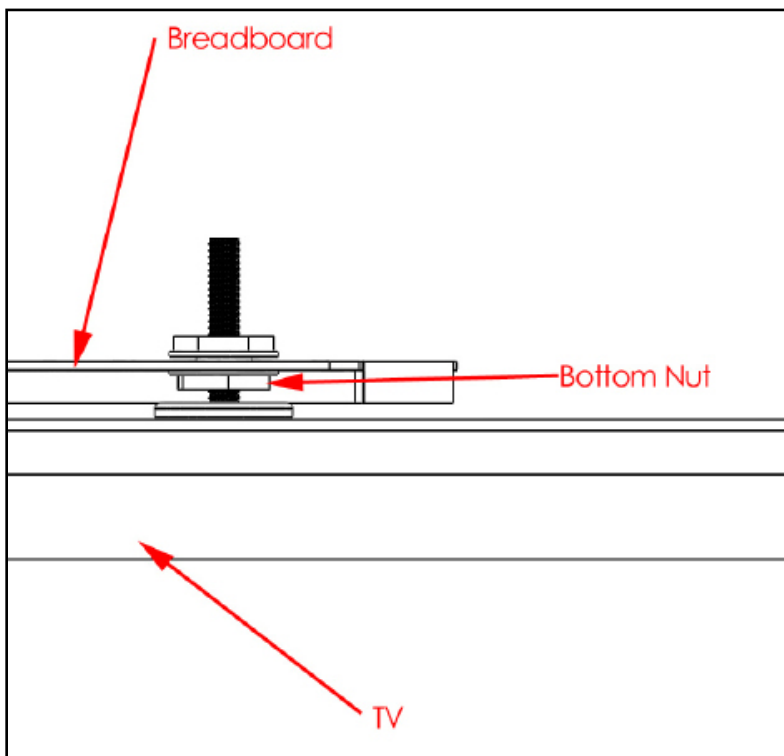
Note: Do not mount the bar on The bottom of the display with the breadboard facing up.

1. Determine the best location to mount the CMP-1. Every installation is different.
2. Make sure that your location will not interfere with other components in the final installation, find a different location if necessary.
3. Using the proper diameter and length of screw, place a washer onto the screw. Then feed the screw/washer combination through the CMP-1 slot and into the VESA mounting hole. Repeat on the other end of the mount. Using a screwdriver hand tighten. If the screw bottoms out without becoming tight, replace with a shorter screw. Make sure that both screws are securely tightened so that the CMP-1 mounting plate does not move.



Step 2

Adjusting the Support Post height



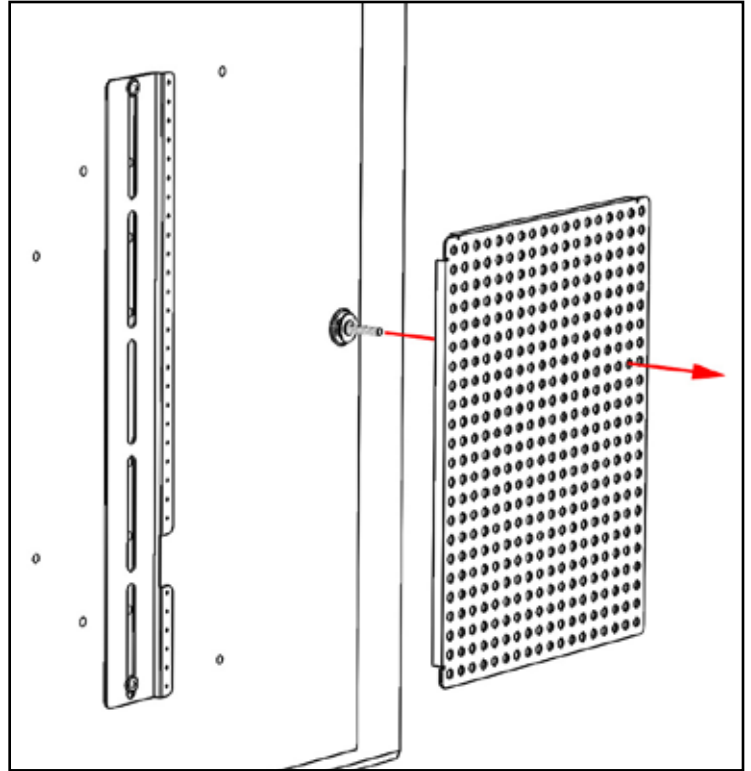
1. Temporarily place the CMP-1 breadboard onto the CMP-1 mounting plate in what you expect to be the final location.
2. The support post should be located to the outer edge of the CMP-1 Breadboard. It is there to reduce movement of the CMP-1. An ideal location is centered along the floating edge of the CMP-1 breadboard, two rows in from the edge.
3. Using cutters, shorten the post to 1/2" above what you expect the final length to be.
4. Thread one nut onto the post if needed to support the plate. The nut should be upside down. Screw the nut down so that it will allow the breadboard to sit parallel to the rear of the display.

Step 3

Attaching the Support Post

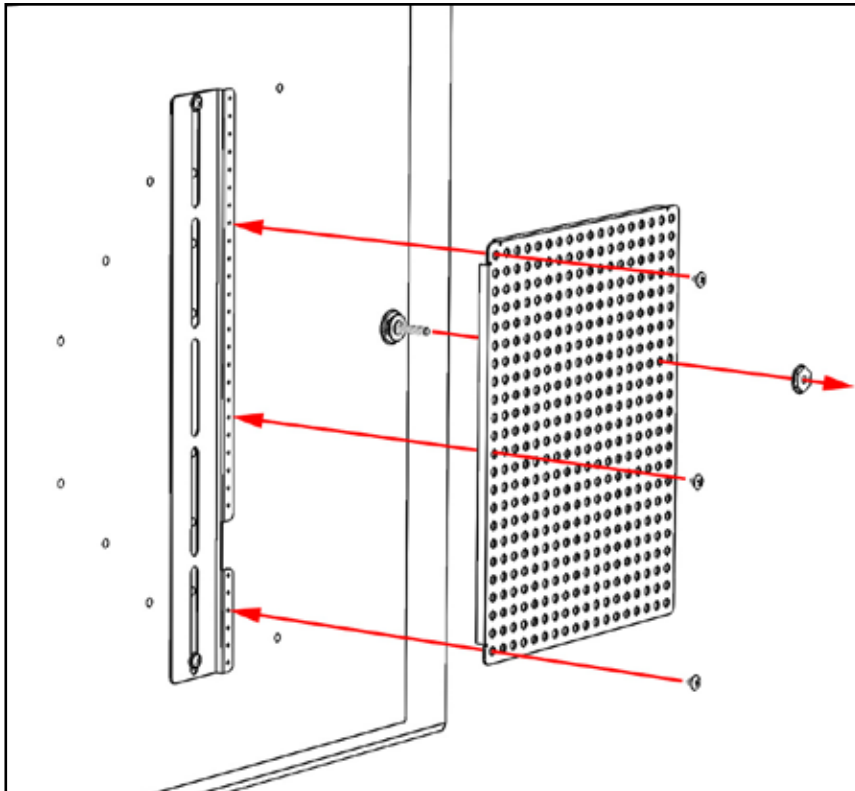
1. Make sure the display is clean where you intend to attach the support.
2. Remove the protective pad from the double sided tape on the support post.
3. Use the breadboard to align the support post. You will want the post to be as close the outside edge of the breadboard as possible, usually the second row works best.
4. Stick the Post to the rear of the display.

CAUTION: The Support Post double stick tape is REALLY sticky and won't be able to be moved after installation.



Step 4

Installing the breadboard



1. Use the self tap screws to attach the breadboard to the mounting plate.
2. Use the second plastic nut to tighten the outside edge of the breadboard onto the support post.
3. Cut off the excess length of the support post.
4. Mount your equipment and wire as normal.
5. Your done!

