



ID-UMC-1 Universal Mounting Clamp

The ID-UMC-1 Universal Mounting Clamp is the ultimate tool for mounting your Audio/Video equipment. With snap-in-place technology, you can easily position the clamp exactly where you need it, then easily relocate it if necessary. Place your equipment within its jaws, and with a few turns of the knob the soft foam will securely hold almost anything.

- Heavy duty 1.7mm steel creates a very rigid clamping system
- Black Zinc plating assures that the finish will look new for years to come.
- Soft foam protects the equipment, while adding gripping force.
- Easy push snaps securely hold the clamp onto the breadboard of the ID-IWB enclosures. The clamp is easily repositioned by simply unsnapping, moving it to the new position, and re-snapping into place.
- The breakaway mounting post allows for a clean finish.
- Our knurled knob is designed to be easily turned, even in tight places.
- Top and bottom clamp have enough surface area to securely hold anything that fits in the box.
- A single clamp can hold most small pieces such as baluns, while two are recommended for larger items such as processors.

ID-UMC-1

Details

Overall Dimensions Minimum (Reduced Post inc. knob): 2.126"w x 2.165"d x 1.36"h

Overall Dimensions Maximum (Full Post) : 2.126"w x 2.165"d x 3.079"h

.2 Lbs. Each

Sold in Pairs

Minimum Clamping Size - .60"

Maximum Clamping Size - 2.50"

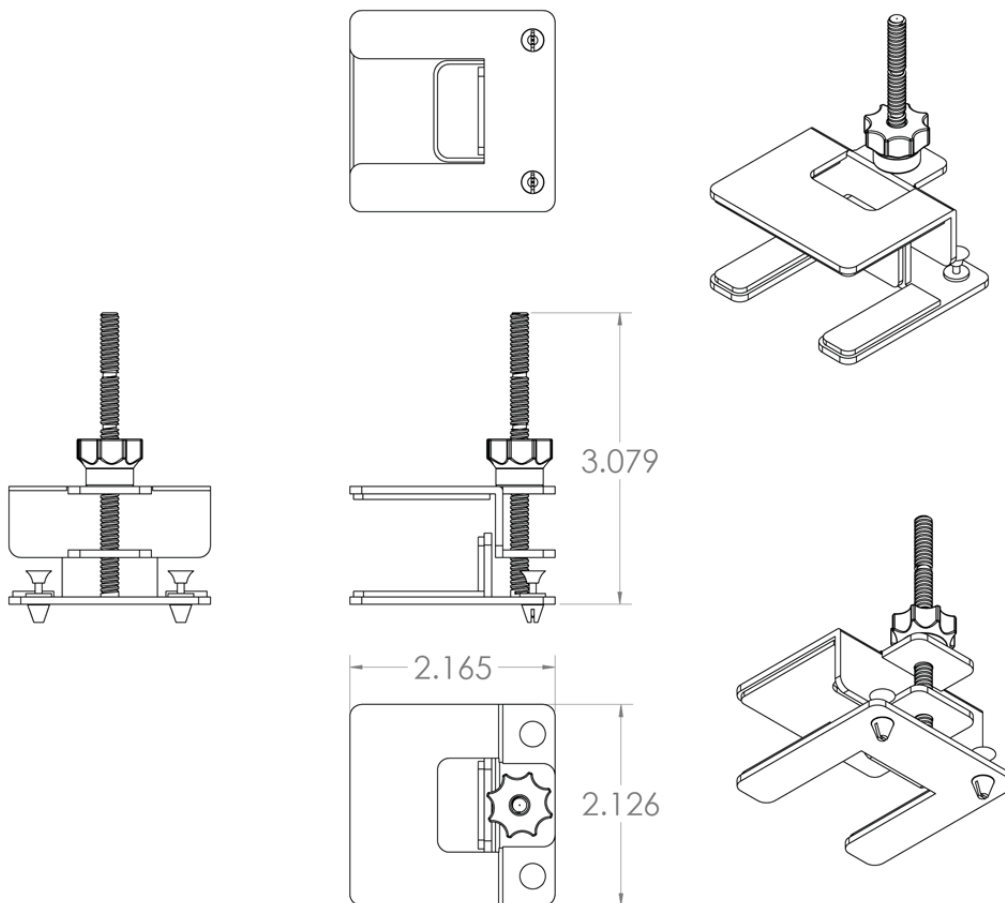
Construction: 1.7mm steel, Black Zinc Plated

Foam rubber on all contact points

What's Included?

2ea. - Top and bottom Clamps

2ea. - Knurled Knobs



www.IntuitiveUSA.com

